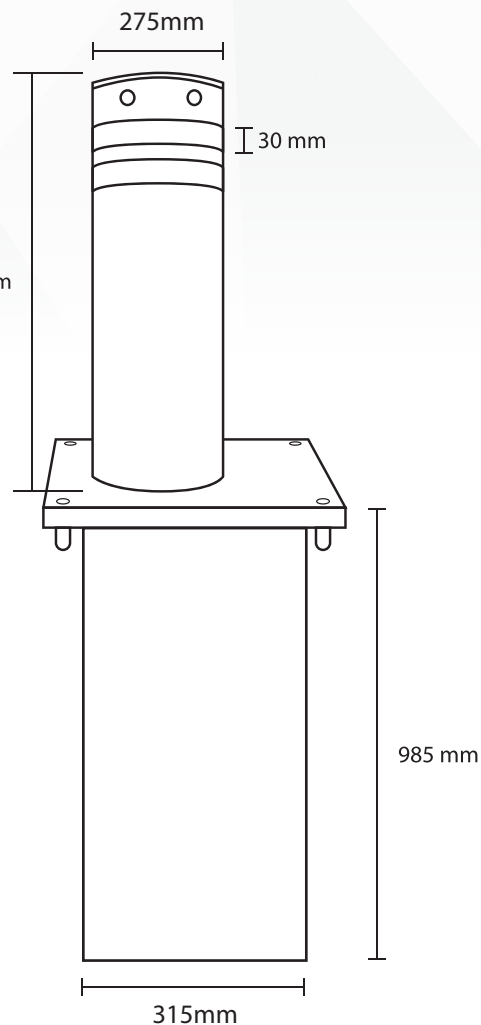




P0-275-750

FEATURES

- Steel bollard
- High security for access control
- Automatic rise and fall
- Pneumatic high speed drive
- Upload speed of 3 to 5 seconds
- Pneumatic operation mode
- Epoxic paint
- Reflective red
- Led red
- Air hose
- Supply, Leds 12 VDC / 24 VDC Valves
- Weight 200Kg
- Diameter 270mm
- 750mm height above floor



ACCESSORIES

- User manual